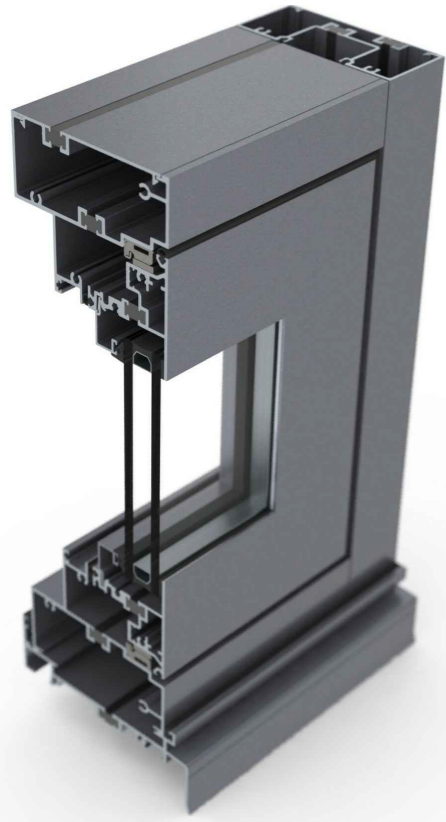


U-Max™ THERMAL BREAK Truth Awning & Casement Sashes
U-Max Framing Systems: UTRUTH - 1

Truth Awning & Casement Sashes



FEATURES:

- Robust size, deeper sash depth for greater strength
- Internally glazed
- Flush faced awning sash on stays
- Awning stays can take up to 130kg sash weight
- Flush Faced casement sash on stays & cam handles
- Casement Stays can take up to 50kg sash weight
- Casement Sash can open 90° for cleaning
- Casement opens to 175mm for access to wash
- Similar appearance to standard sashes & can blend in projects
- Truth Awning & Casement sashes on sill mounted winders
- Winders available as non-keyed or key operated
- Fully operational with flyscreens
- Stainless Steel available for marine applications
- Adaptable to 100mm Centre Glazed & 150mm Offset framing
- It adapts to front glazed provided an unbroken sash adaptor is used
- Accepts 24mm up to 36mm IGUs

FABRICATION:

- Mitre cut
- Easy Screw Flute Joinery Fabrication

PRODUCT APPLICATIONS:

- Residential, apartments or commercial

LIMITATION:

- Hardware limits (weight & size)
- Structural limitations in apartments & commercial, limited by deflection.
- Please read the limitation notes on each sash

PERFORMANCE

Tested Awning window of 1700 x 800 sash size achieved:

- +2000pa & -2000pa serviceability
- 3000pa ultimate
- 1000pa water penetration
- 0.6 litres air infiltration

HARDWARE SELECTION:

Selecting the correct hardware for application is determined by many factors that change on a project by project basis. Careful consideration needs to be given to opening type, size & weight, wind loads, location within the building, security, ease of operation, budget, serviceability & aesthetic requirements.

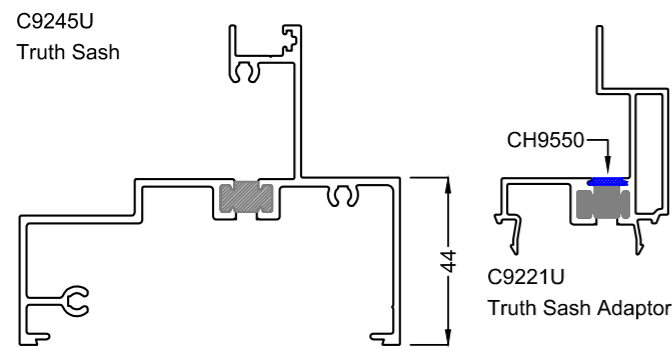
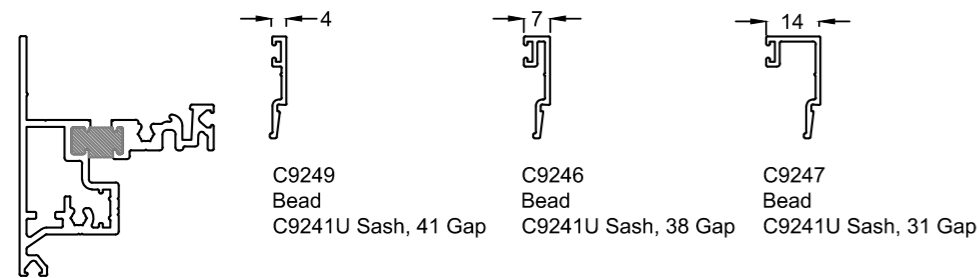
Typical hardware is shown throughout our catalogues to depict opening types & function. There are a range of sash types available to cover a variety of applications. Once the opening type has been selected, it is the responsibility of the fabricator to determine hardware suitability with the hardware manufacturer, ensuring their selection meets project requirements.



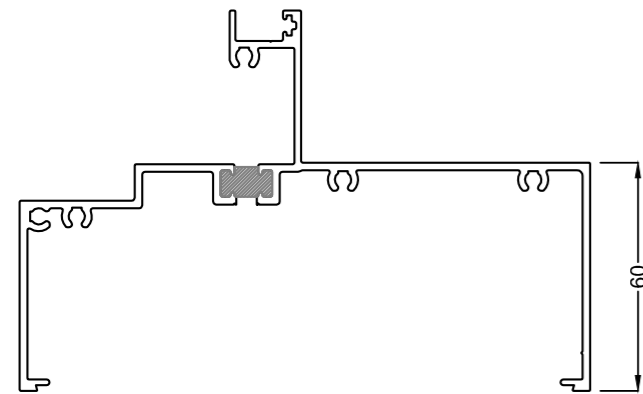
U-Max™ THERMAL BREAK Truth Awning & Casement Sashes

U-Max Framing Systems: UTRUTH - 2

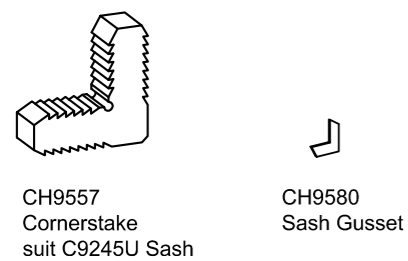
Extrusion ID



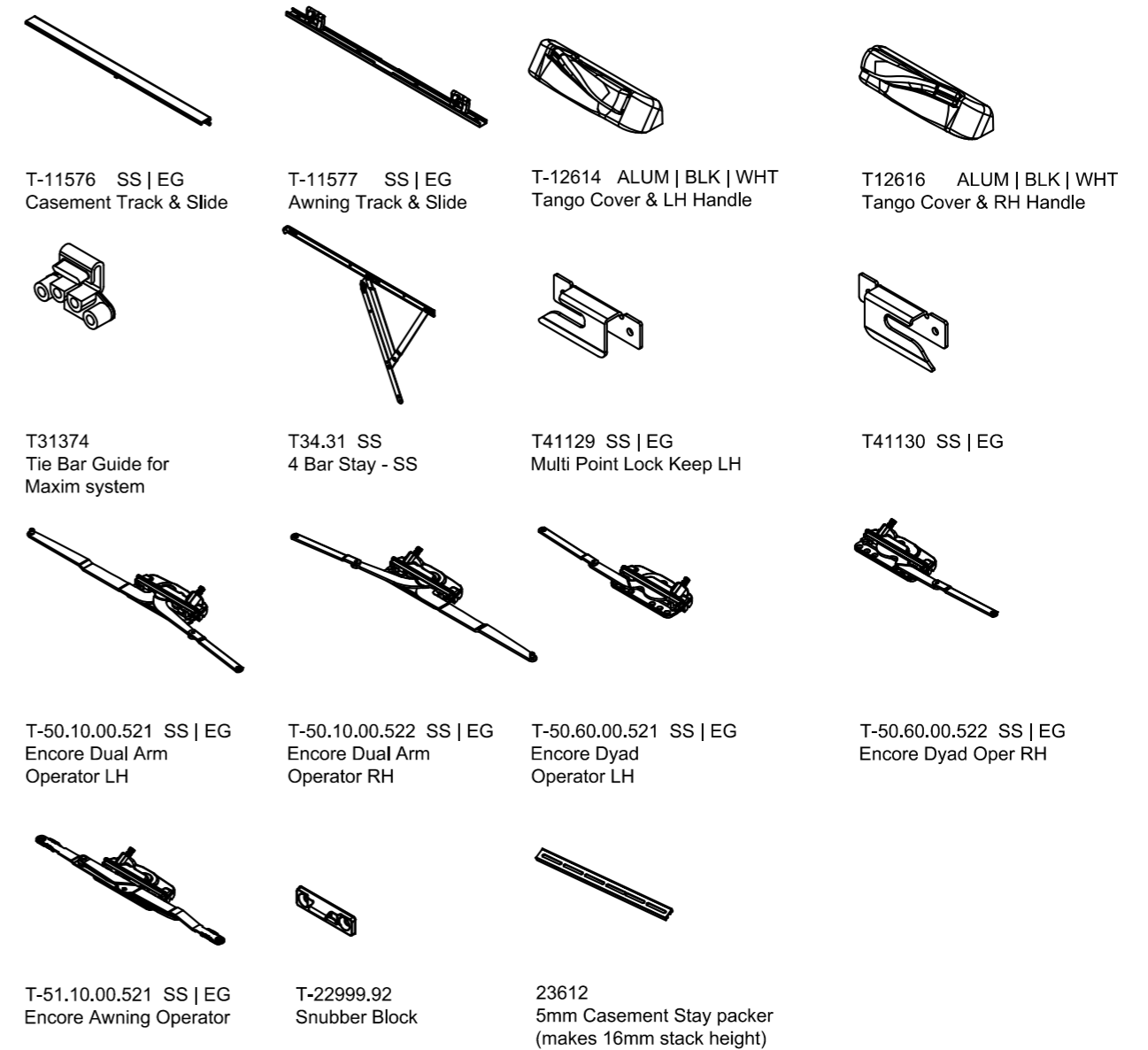
C9220U
100 x 44 Truth Head/Sill



Component ID



Truth Awning & Casement Components



Fasteners

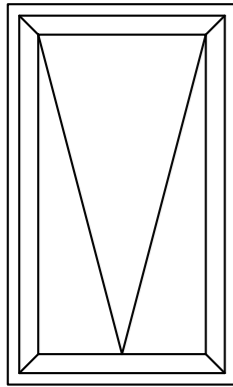
The following fasteners are required for fitting of Truth hardware.
Stays: varies 20 x #10 Pan Hd S/T

Maxim 24 Series Sash Locks:	2 off	25 x #10 Pan Hd S/T
Tie Bar Guide:	2 off	20 x #8 Pan Hd S/T
Muti- point keeps (each):	2 off	20 x #8 Pan Hd S/T
Single point keeps (each):	2 off	20 x #8 Pan Hd S/T
Casement Operator:	6 off	25 x #8 CSK Hd S/T
Casement Track T- 11576.92:	3 off	25 x #8 CSK Hd S/T
Awning Operator:	3 off	25 x #8 CSK Hd S/T
Awning Track T-11577.92:	4 off	25 x #8 CSK Hd S/T

U-Max™ THERMAL BREAK Truth Awning & Casement Sashes

U-Max Framing Systems: UTRUTH - 3

Truth Awning Sash

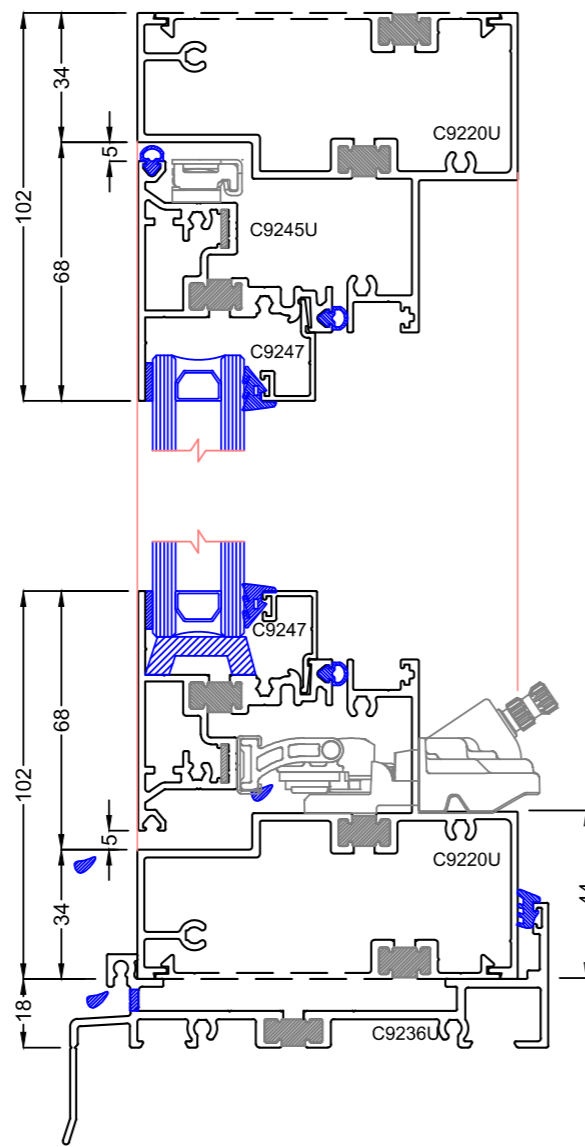


Maximum sash weights generally up to 100kg, limited by the hardware.

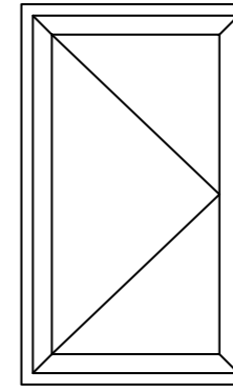
- Maximum sash height 2100mm
- Sash width dependant on sash height
- Multi-lock should be used on sashes over 1600mm high.

Please refer the Sashes segment in the catalogue for hardware limits & options.

44mm Head & Sill



Truth Casement Sash



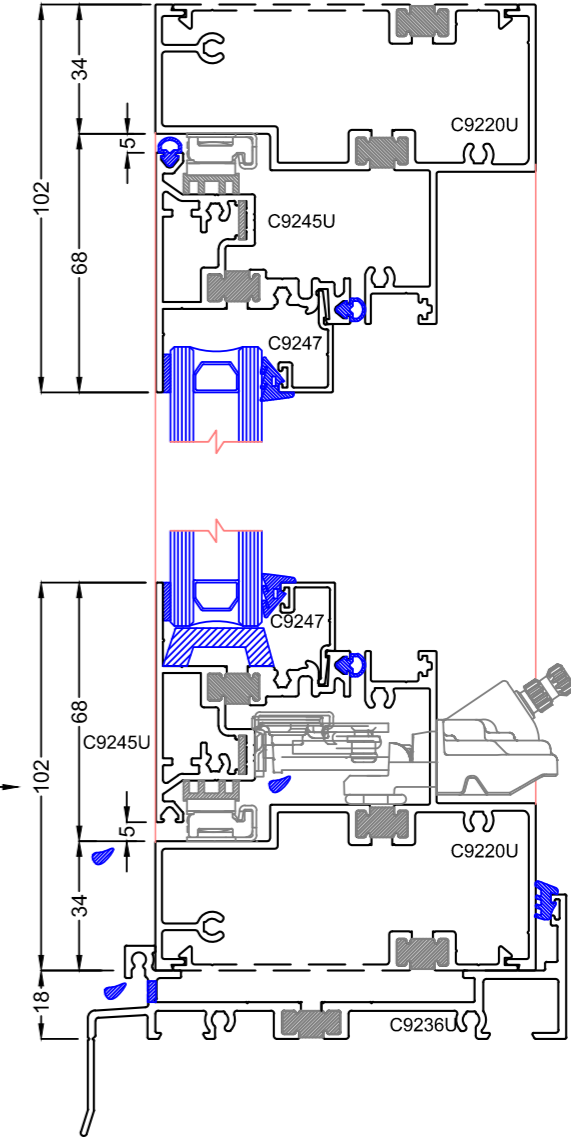
Left Hand sash depicted

Maximum sash weights generally are 50kg, limited by the hardware.

- Maximum sash width is 1050mm.
- Multi-point lock should be used on sashes over 1600mm high.
- Glass 6mm - 38mm

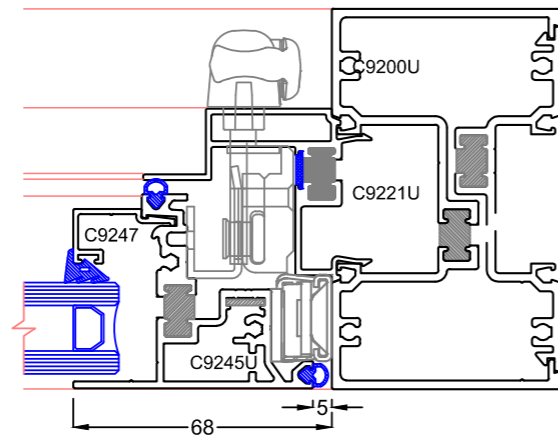
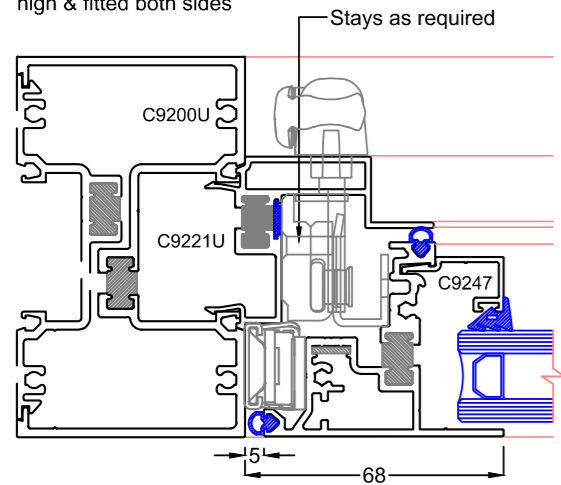
Please refer the Sashes segment in the catalogue for hardware limits & options.

44mm Head & Sill

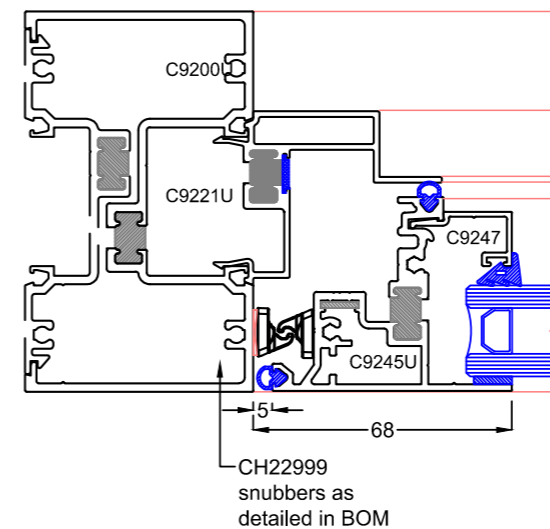


Multi Locking Handle

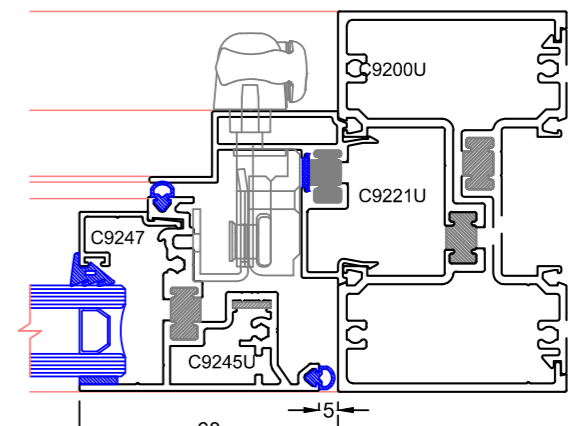
Required on sashes over 1600mm high & fitted both sides



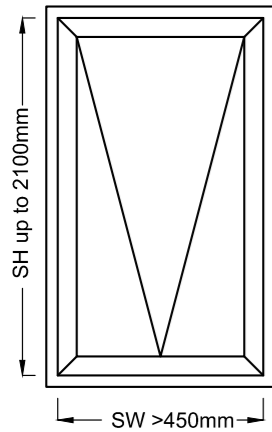
Hinge Side



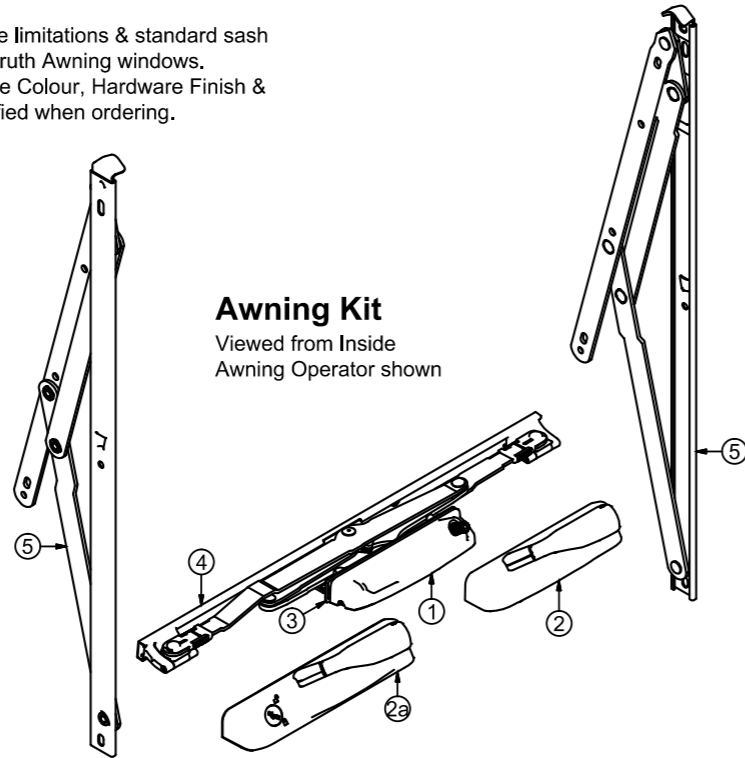
Closing Side with multi lock



U-Max™ THERMAL BREAK Truth Awning & Casement Sashes
U-Max Framing Systems: UTRUTH - 4
Awning Sash Hardware Packages



The following charts detail size limitations & standard sash hardware packages for Max Truth Awning windows. Note the variables of Hardware Colour, Hardware Finish & Locking that need to be specified when ordering.



Awning Kit
Viewed from Inside
Awning Operator shown

Pos.	Description	Qty
①	Encore Awning Operator	1
③	Gasket for Encore Operator	1
④	Awning Track & Slide for Operator	1
⑤	HD 4 Bar Awning Stay (1LH & 1RH)	Pair

Awning Sash recommended sizes & package codes

		Awning Sash Width								
Awning Sash Height	Height	450	600	750	900	1050	1200	1500	1800	Locking
	Min 500 Max 700	T-AWN1 suits Sashes 500-700mm High - 26kg Max								2 x T-SPT
	Min 701 Max 900	T-AWN2 suits Sashes 701-900mm High - 45kg Max								2 x T-SPT
	Min 901 Max 1050	T-AWN3 suits Sashes 901-1050mm High - 53kg Max								2 x T-SPT
	Min 1051 Max 1200	T-AWN4 suits Sashes 1051-1200mm High - 58kg Max								2 x T-SPT
	Min 1201 Max 1600	T-AWN5 suits Sashes 1201-1600mm High - 80kg Max								2 x T-SPT
Min 1601 Max 2100	T-AWN6 suits Sashes 1601-2100mm High - 136kg Max								T-MPT1	

Hardware Options

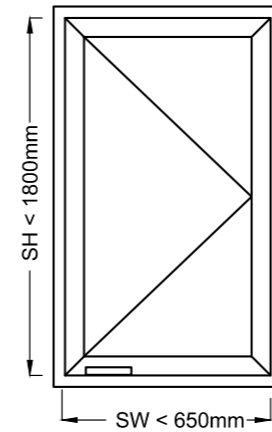
Hardware Colour	
Colours	Suffix
Aluminium	01
Black	02
White	32

Hardware Finish	
Description	Suffix
E-Gard	No suffix = EG
Stainless Steel	SS

Package Code Examples

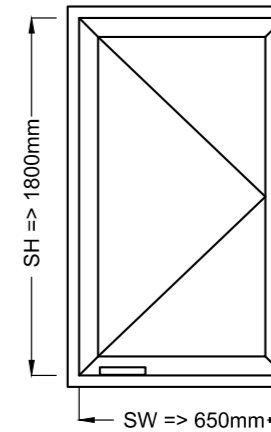
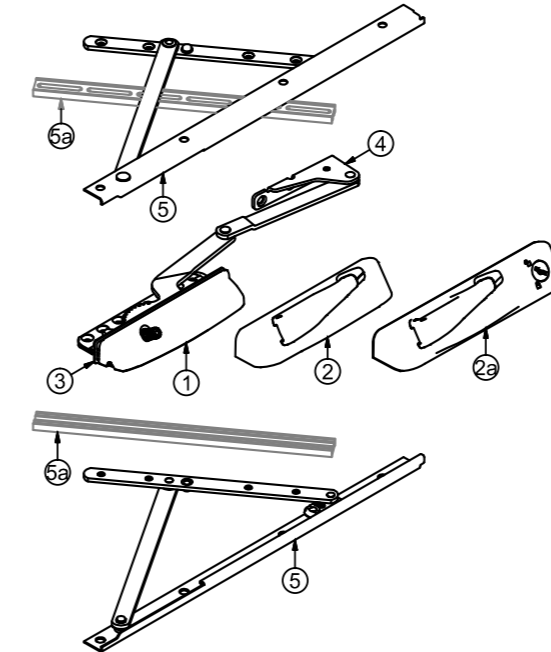
T-AWN2.02 Awning Kit, Black (02), E-Gard Hardware (no suffix)
T-AWN2.01 SS Awning Kit, Aluminium (01), Stainless Steel Hardware (SS)
T-MPT2L Multipoint Locking Kit, Left Hand (L)

Casement Sash Hardware Packages

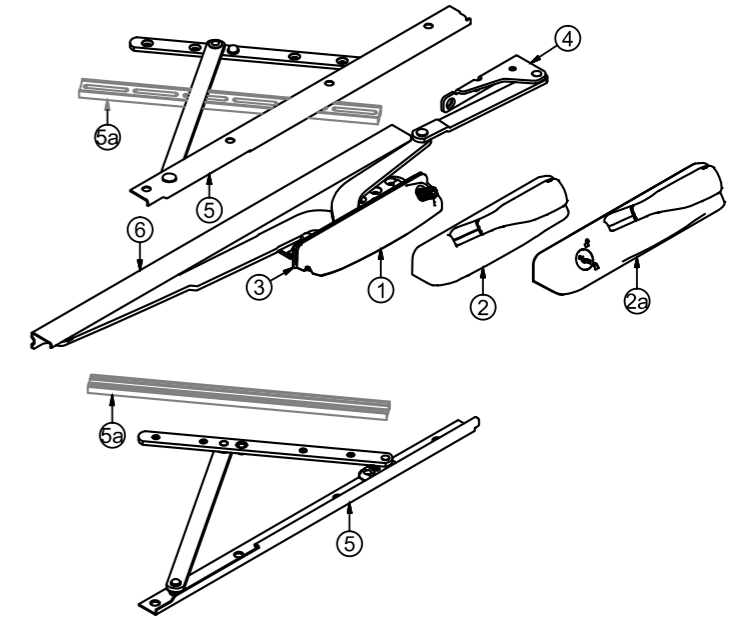


The following charts detail size limitations & standard sash hardware packages for Truth Casement windows. Note the variables of Hand, Hardware Colour & Finish need to be specified when ordering. Note that 23613 packer is required with casement stays.

Casement Kit #1
Viewed from Inside
LH Dyad Operator shown



Casement Kit #2
Viewed from Inside
LH Dual Arm Operator shown



Casement Sash recommended sizes & packages

		Casement Sash Width (Width must not exceed 2/3 of Sash Height)						
Casement Sash Height	Height	360 - 500	600	700	800	900 - 1000	Locking	
	900	T-CKT1	T-CKT2	T-CKT2	T-CKT2	T-CKT2	T-SPT	
	1000							
	1100							
	1200							
	1300							
	1400	T-CKT1	T-CKT2	T-CKT2	T-CKT2	T-MPT2		
	1500							
	1600							
	1700	T-CKT1	T-CKT2	T-CKT2	T-CKT2	T-MPT3		
1800								
1900								
2000	T-CKT1	T-CKT2	T-CKT2	T-CKT2	T-MPT4			
2100 - 2400						T-CKT1	T-CKT2	T-CKT2

U-Max™ THERMAL BREAK Truth Awning & Casement Sashes

U-Max Framing Systems: UTRUTH - 5

Hardware Pack Information

Each pack below is supplied with the following components

T-CKT1 Casement Package #1 For sashes 450-600mm Wide		
		Qty
①	Encore Dyad Operator	1
③	Gasket for Encore Operator	1
④	Bracket for Encore Operators	1
⑤	14 Series Stays (1LH & 1RH)	Pair
⑤a	5mm Packer for Stays	2

T-CKT2 Casement Package #2 For sashes 601-1000mm Wide		
		Qty
①	Encore Dyad Operator	1
③	Gasket for Encore Operator	1
④	Bracket for Encore Operators	1
⑤	14 Series Stays (1LH & 1RH)	Pair
⑤a	5mm Packer for Stays	2
⑥	Track & Slide for Operator	1

Handle / Cover Options (1 required per kit)

Pos.	Description	Code
②	Left Hand Non Locking	12614.XX
	Right Hand Non Locking	12616.XX
②a	Left Hand Key Locking	12683.XX
	Right Hand Key Locking	12684.XX

Casement Multipoint Lock Kits

T-MPT2	Casement Sashes 1601 - 1700mm High
T-MPT3	Casement Sashes 1701 - 1800mm High
T-MPT4	Casement Sashes 1801 - 1900mm High
T-MPT5	Casement Sashes 1901 - 2350mm High

Hardware Options

Hardware Colour		Hardware Finish		Hardware Hand		Locking	
Colours	Suffix	Description	Suffix	Description	Suffix	Description	Suffix
Aluminium	01	E-Gard	No suffix = EG	Left Hand	L	KL	Key Locking
Black	02	Stainless Steel	SS	Right Hand	R		
White	32						

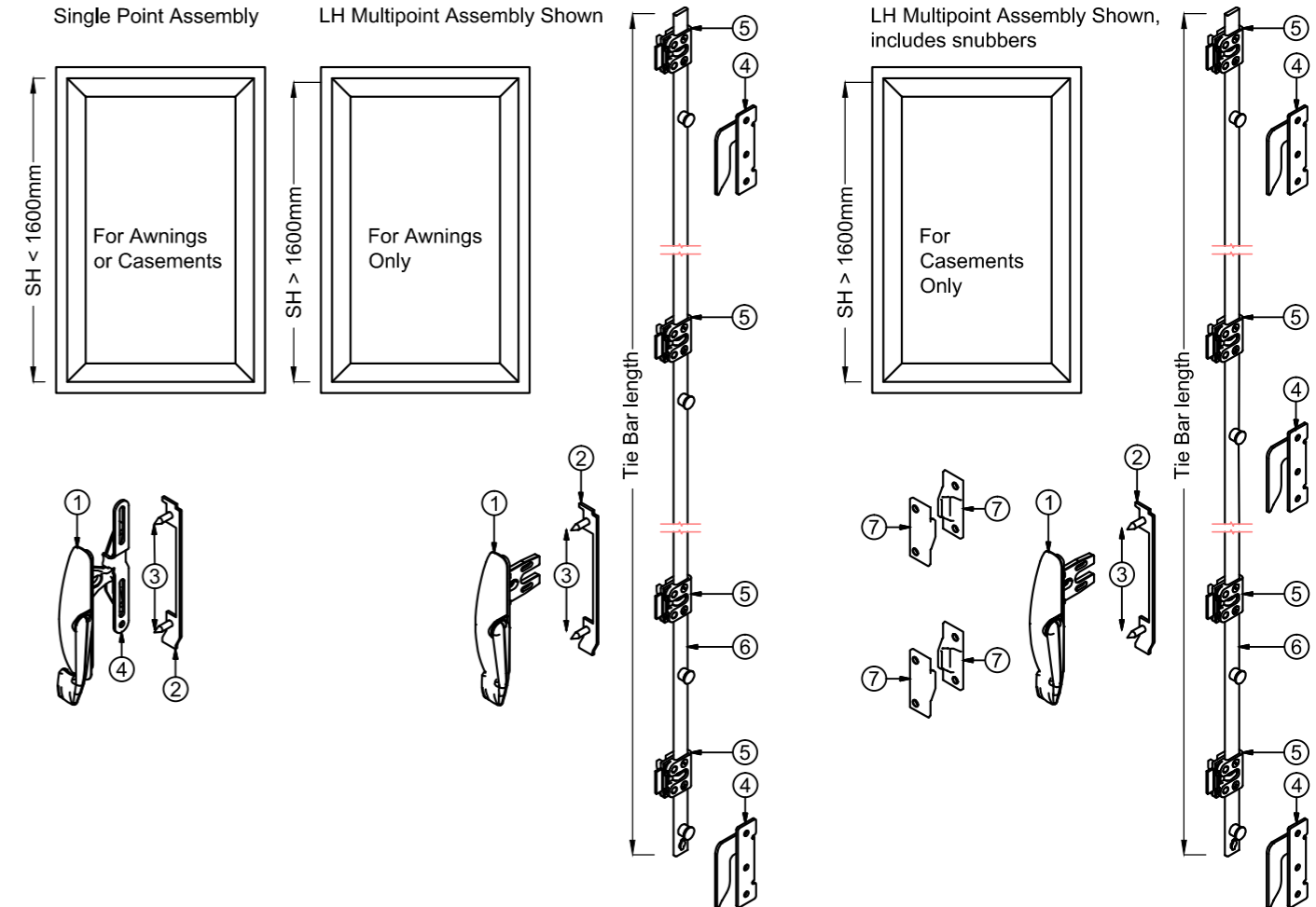
Package Code Examples

T-CKTL.02 Casement Kit, Black (02), Left Hand (L), E-Gard Hardware (does not require suffix)
 T-CKTR.01.SS KL Casement Kit, Aluminium (01), Right Hand (R), Stainless Steel Hardware (SS), Keylocking (KL)
 T-MPT2L Multipoint Locking Kit, Left Hand (L)

Single Point Kits Awning Multi Lock Kit 1

Viewed from Inside
Single Point Assembly

Viewed from Inside
LH Multipoint Assembly Shown



Locking Kit Information

Each pack below is supplied with the following components

T-SPT Single Point Lock Kit #1 For sashes 500-1600mm High		
		Qty
①	Handle (not included in kit)	1
②	Supp. Plate for Maxim Lock	1
③	10-24 x 9/16" screws	2
④	SS Multipoint Keep for Lock	1

T-MPT1 Awning Multi Point Lock Kit #1 For sashes 1601-2100mm High		
		Qty
①	Maxim Multi Point Locks (not in kit)	2
②	Supp. Plate for Maxim Locks	4
③	10-24 x 9/16" screws	2
④	Multi Point Lock Keep (2LH & 2RH)	4
⑤	Tie Bar Guide	4
⑥	Maxim Multipoint Tie Bar	2

Casement Multi Locking Kit Information

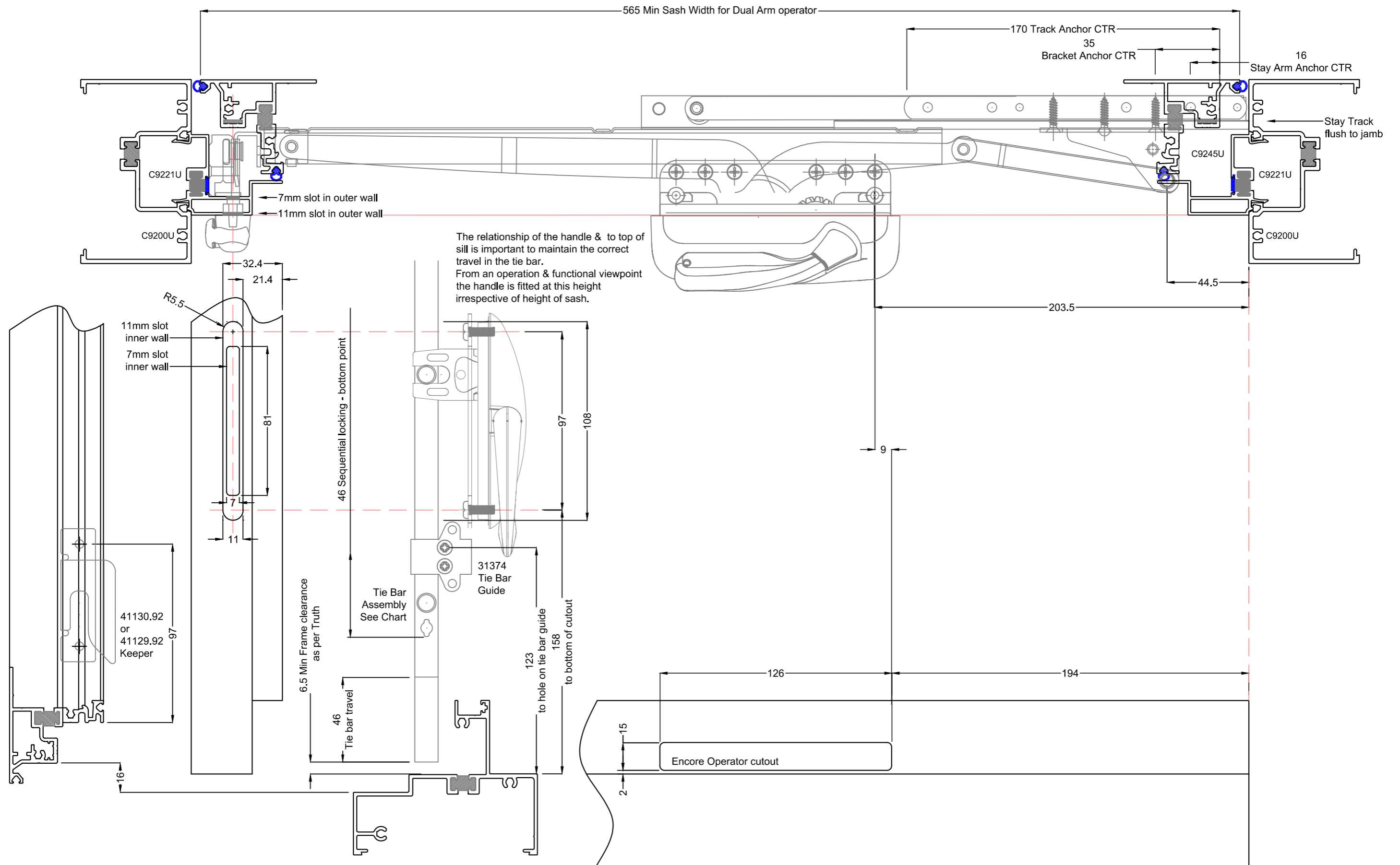
Each pack below is supplied with the following components

Casement Multi Point Lock Kits. Quantities are dependant on the Tie Bar specified in each kit		
		Qty
①	Maxim Multi Point Lock1 (not in kit)	1
②	Supp. Plate for Maxim Locks	1
③	10-24 x 9/16" screws	2
④	Multi Point Lock Keep	4
⑤	Tie Bar Guide	*
⑥	Maxim Multipoint Tie Bar	*
⑦	Snubbers	*

Casement Multipoint Lock Kits

T-MPT2	Casement Sashes 1601 - 1700mm High
T-MPT3	Casement Sashes 1701 - 1800mm High
T-MPT4	Casement Sashes 1801 - 1900mm High
T-MPT5	Casement Sashes 1901 - 2350mm High

U-Max™ THERMAL BREAK Truth Awning & Casement Sashes
U-Max Framing Systems: UTRUTH - 6
Machining Details



U-MAX™ Thermal Break Truth Awning & Casement Sashes

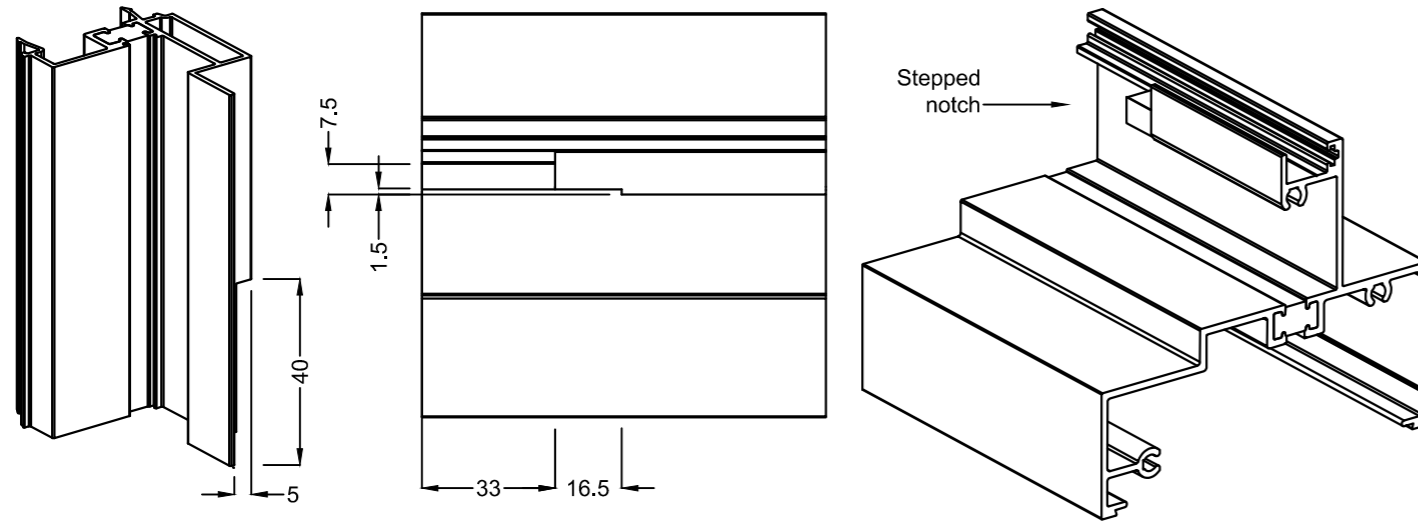
U-Max™ THERMAL BREAK Truth Awning & Casement Sashes

U-Max Framing Systems: UTRUTH - 7

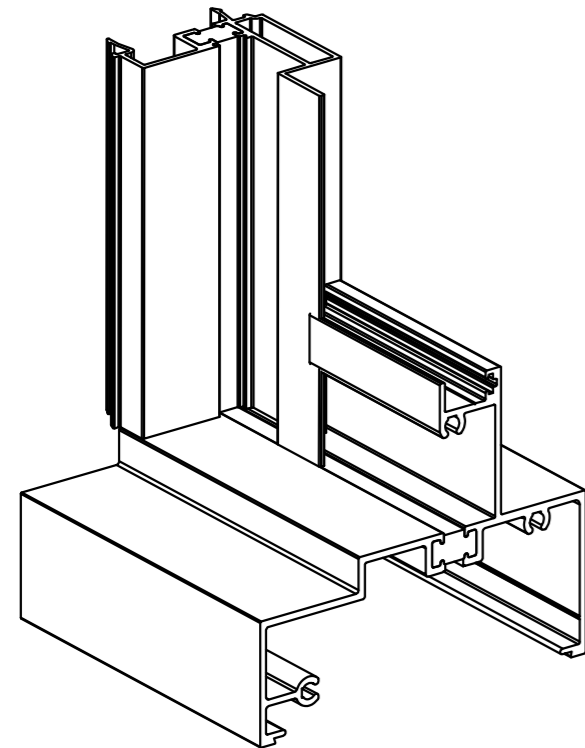
End Machining of Head / Sill & Jamb Adaptor

40 x 5 Notch on back of Jamb adaptor top & bottom

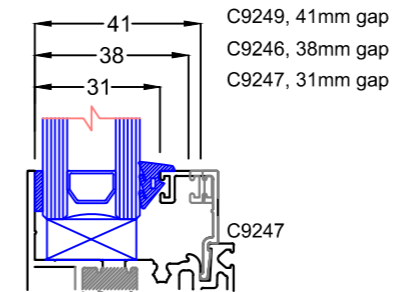
Head / Sill viewed from top. Staggered notch each end.



Resultant isometric assembly of Jamb adaptor & Sill. This detail applies top & bottom, both ends of bars.



Sash Glazing Details



Glazing Tape selection

Tremco 800, butyl tape available from 1.2mm thickness.
Tremco polyshim butyl with EPDM spacer, 3.2mm thick

	Glass thickness	Example	Bead	Tape Thickness	Glazing wedge	Gap
Max Truth Sash	24mm	6/12/6	C9247	1.6mm	CH9502	5mm
	26mm	6/14/6	C9247	1.6mm	CH9500	3mm
	28mm	8/12/8	C9246	3.2mm	CH9503	7mm
	30mm	5/20/5	C9246	1.6mm	CH9503	7mm
	32mm	6/20/6	C9246	1.6mm	CH9502	5mm

Glazing Wedges



CH9500
3mm wedge PVC



CH9501
4mm wedge PVC



CH9502
5mm wedge PVC



CH9503
7mm wedge PVC